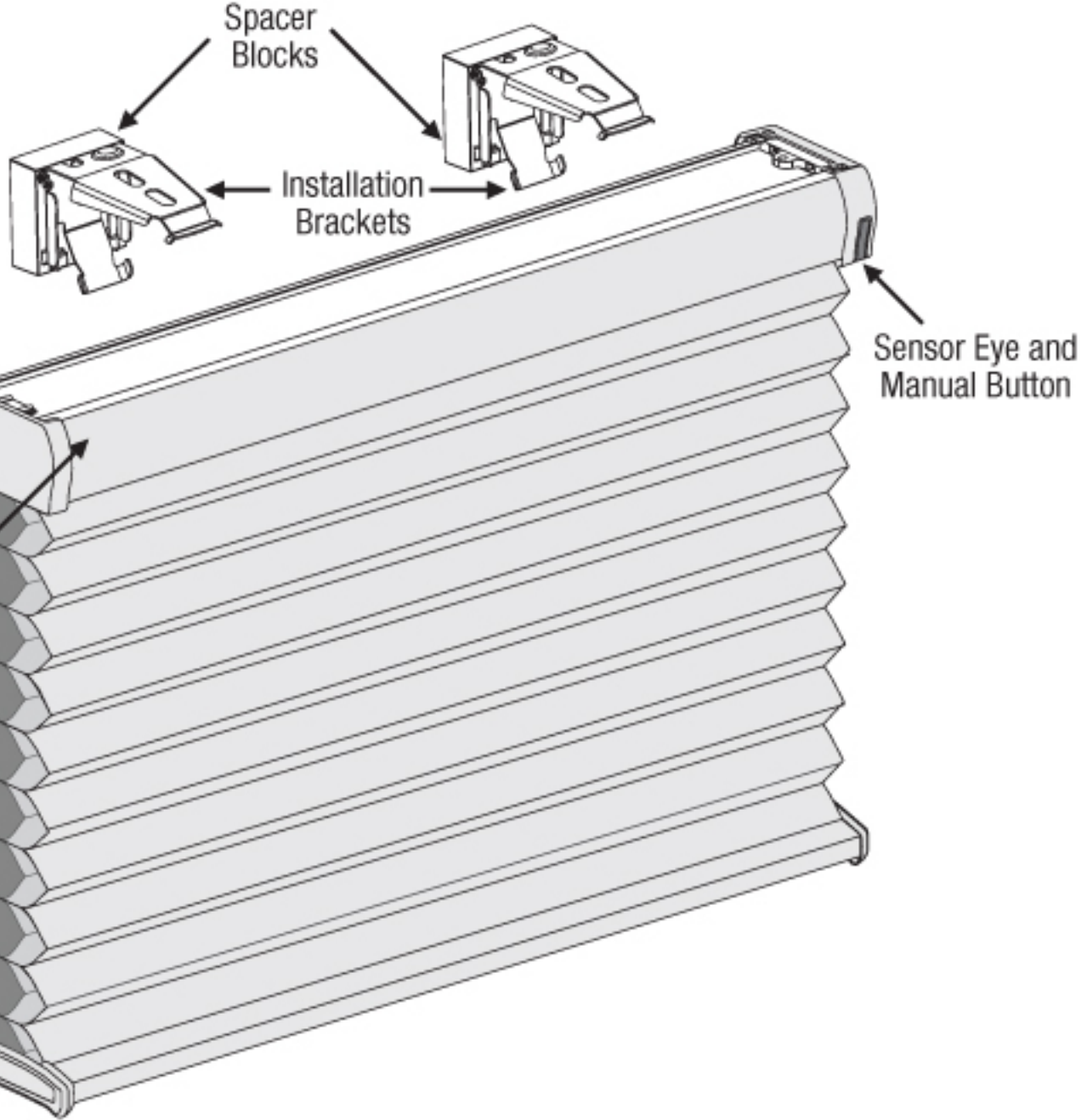


Note: 1 spacer block will be pre-attached to each installation bracket.



Battery Pack Mounting Bracket Options (Rear View)

