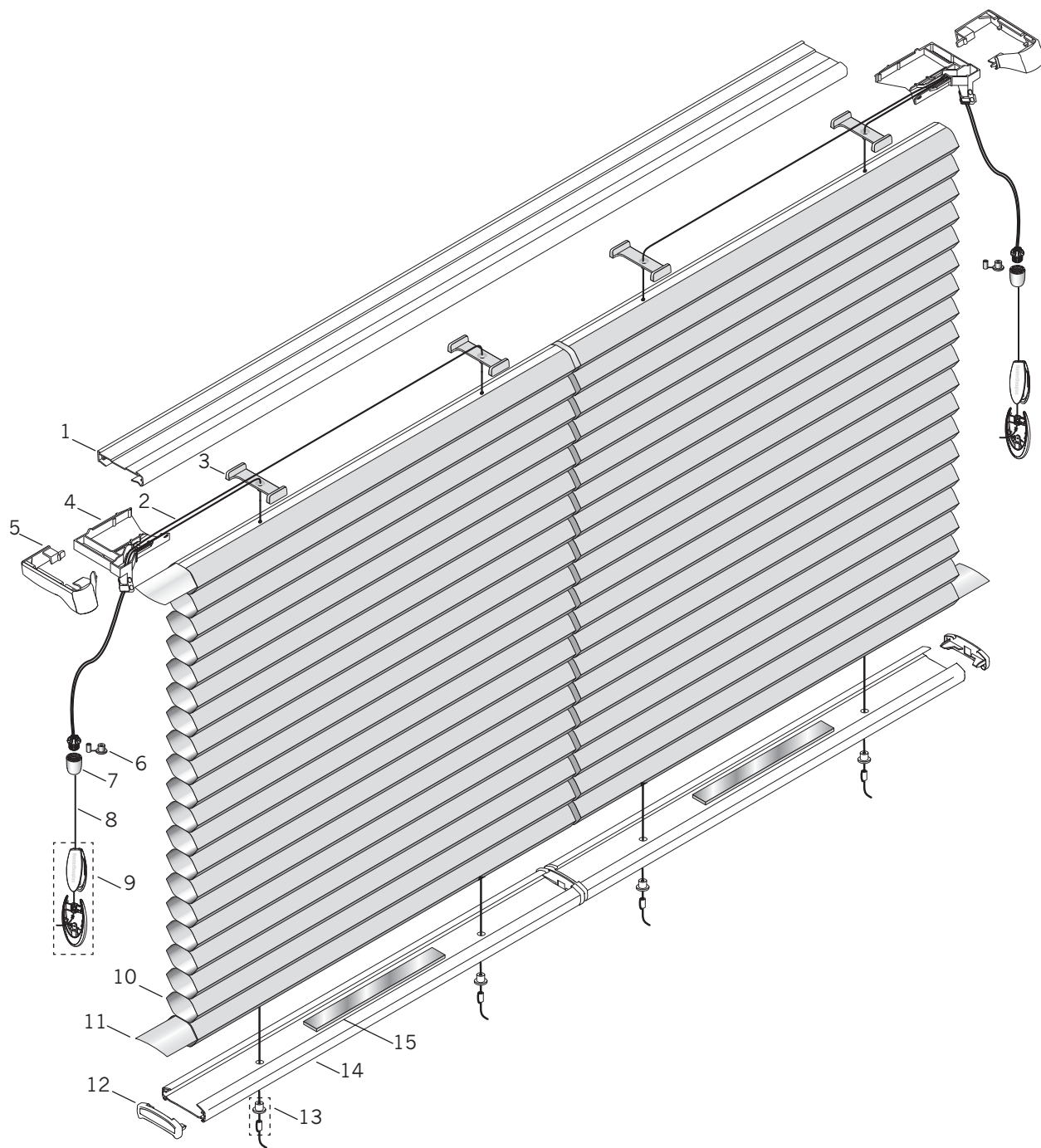


Duette® Cordlock Two-On-One Standard



Standard Parts

- | | | |
|--------------------|-----------------------------|-------------------------|
| 1. Headrail | 6. Clear Pocket and Ferrule | 11. Filler Strip |
| 2. Ultrawear® Cord | 7. Clear Stop Ball | 12. Bottom Rail End Cap |
| 3. Cord Guide | 8. Tassel Cord | 13. Pocket & Ferrule |
| 4. Cordlock Body | 9. Designer Tassel | 14. Bottom Rail |
| 5. Cordlock Cover | 10. Fabric | 15. Rail Weight |

Duette® Cordlock Two-On-One Standard

| No. | PCN | Description |
|------------|---------------------|---|
| 1. | Headrail | |
| | 2250010xxx | 3/8" |
| | 2270010xxx | 3/4", Double, & Triple Honeycomb |
| 2. | 2680000000 | 0.9 mm Ultrawear® Cord |
| 3. | Cord Guide | |
| | 2950100000 | 3/8" |
| | 2970300000 | 3/4", Double, & Triple Honeycomb |
| 4. | Cordlock Body | |
| | 2950094000 | RH (3/8") |
| | 2950095000 | LH (3/8") |
| | 2970094000 | RH (3/4" & Double Honeycomb) |
| | 2970095000 | LH (3/4" & Double Honeycomb) |
| 5. | Cordlock Cover | |
| | 2270085xxx | LH (3/4", Double, & Triple Honeycomb) |
| | 2250075xxx | RH (3/8") |
| | 2250085xxx | LH (3/8") |
| | 2270075xxx | RH (3/4", Double, & Triple Honeycomb) |
| 6. | 3200156000C | Clear Pocket and Ferrule (2-rout Shades Only) |
| 7. | 2930562000 | Clear Stopball |
| 8. | 2930320xxx | 2.2 mm Tassel Cord |
| 9. | Designer Tassel | |
| | 2931556xxx | Cover |
| | 2931555000 | Base |
| 10. | N/A | Fabric (3/8", 3/4", Double, & Triple Honeycomb) |
| 11. | Filler Strip | |
| | 2954000000 | 3/8" |
| | 2974000000 | 3/4", Double, & Triple Honeycomb |
| 12. | Bottom Rail End Cap | |
| | 2982015xxx | 3/8" |
| | 2982017xxx | 3/4", Double, & Triple Honeycomb |
| 13. | 3200155xxx | Pocket & Ferrule |
| 14. | Bottom Rail | |
| | 2971632xxx | 3/8" |
| | 2971640xxx | 3/4", Double, & Triple Honeycomb |
| 15. | 2982028000 | Rail Weight (used only if needed) |

xxx = 3-digit color code