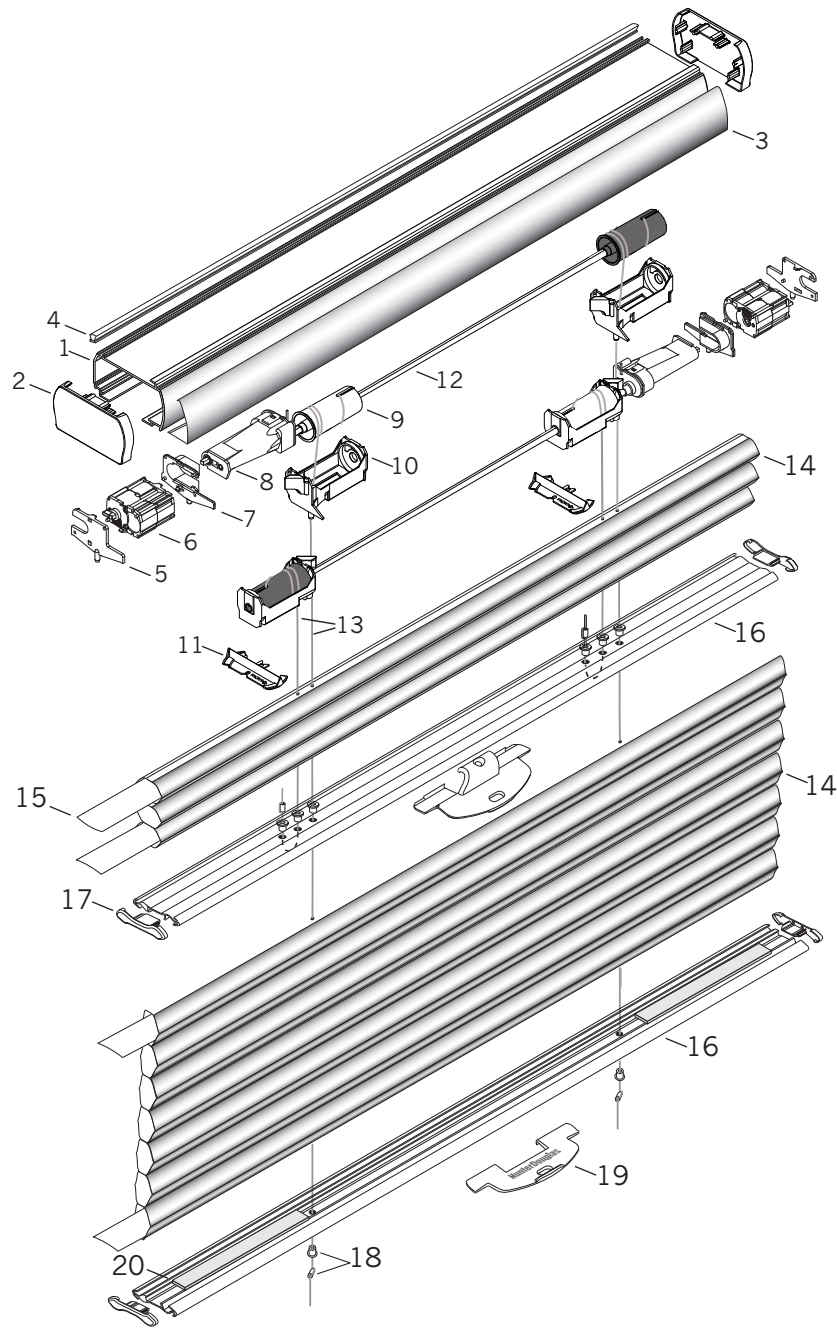


# Duette® with LiteRise® - 1¼" Top-Down/Bottom-Up



## Standard Parts

- |                                  |                                   |                                   |
|----------------------------------|-----------------------------------|-----------------------------------|
| 1. Common Headrail               | 7. LiteRise® Transmission Adaptor | 14. Fabric                        |
| 2. Common Headrail End Cap       | 8. LiteRise® Transmission         | 15. Filler Strip                  |
| 3. Common Headrail Valance       | 9. Common Lift Spool              | 16. Bottom Rail                   |
| 4. Light-Block Strip             | 10. Spool Housing                 | 17. Bottom Rail End Cap           |
| 5. Common Headrail Motor Support | 11. Spool Housing Adaptor         | 18. Pocket & Ferrule              |
| 6. LiteRise® Motor               | 12. V-Shaft                       | 19. Handle                        |
|                                  | 13. Cord                          | 20. Rail Weight - <b>Optional</b> |

# Duette® with LiteRise® - 1¼" Top-Down/Bottom-Up

<b>No.</b>	<b>PCN</b>	<b>Description</b>
1.	2770003785	1¼" Common Headrail
2.	2780050XXX	1¼" Common Headrail End Cap, For Valance
3.	278900XXXX	Common Headrail Valance
4.	2780029000	Common Headrail Light-Block Strip
5.	2780038000	Common Headrail Motor Support
6.	LiteRise Motor	
	7300109000	Beige
	7300110000	Gray
	7300111000	Black
7.	2780043000	LiteRise Transmission Adaptor
8.	LiteRise Transmission	
	7300158000	Green
	7300159000	Blue
9.	Common Lift Spool	
	2780034000	Through Hole (White)
	2780072000	Rod Stop (Black)
10.	2780033000	Spool Housing
11.	Spool Housing Adaptor	
	2780036000	For 1¼" Shades
	2780106000	For 1¼" Architella Shades
12.	2770004000	Steel V-Shaft
13.	2671000000	0.9 mm Cord
14.	N/A	1¼" Duette Fabric
15.	2971311000	1¼" Filler Strip
16.	2971315XXX	1¼" Duette Bottom Rail
17.	2982316XXX	1¼" Duette Bottom Rail End Cap
18.	3200155XXX	Pocket & Ferrule
19.	7300148xxx	1¼" Duette Handle
20.	2982028000	Rail Weight – <b>Optional</b>

xxxx or xxx = 3- or 4-digit color code