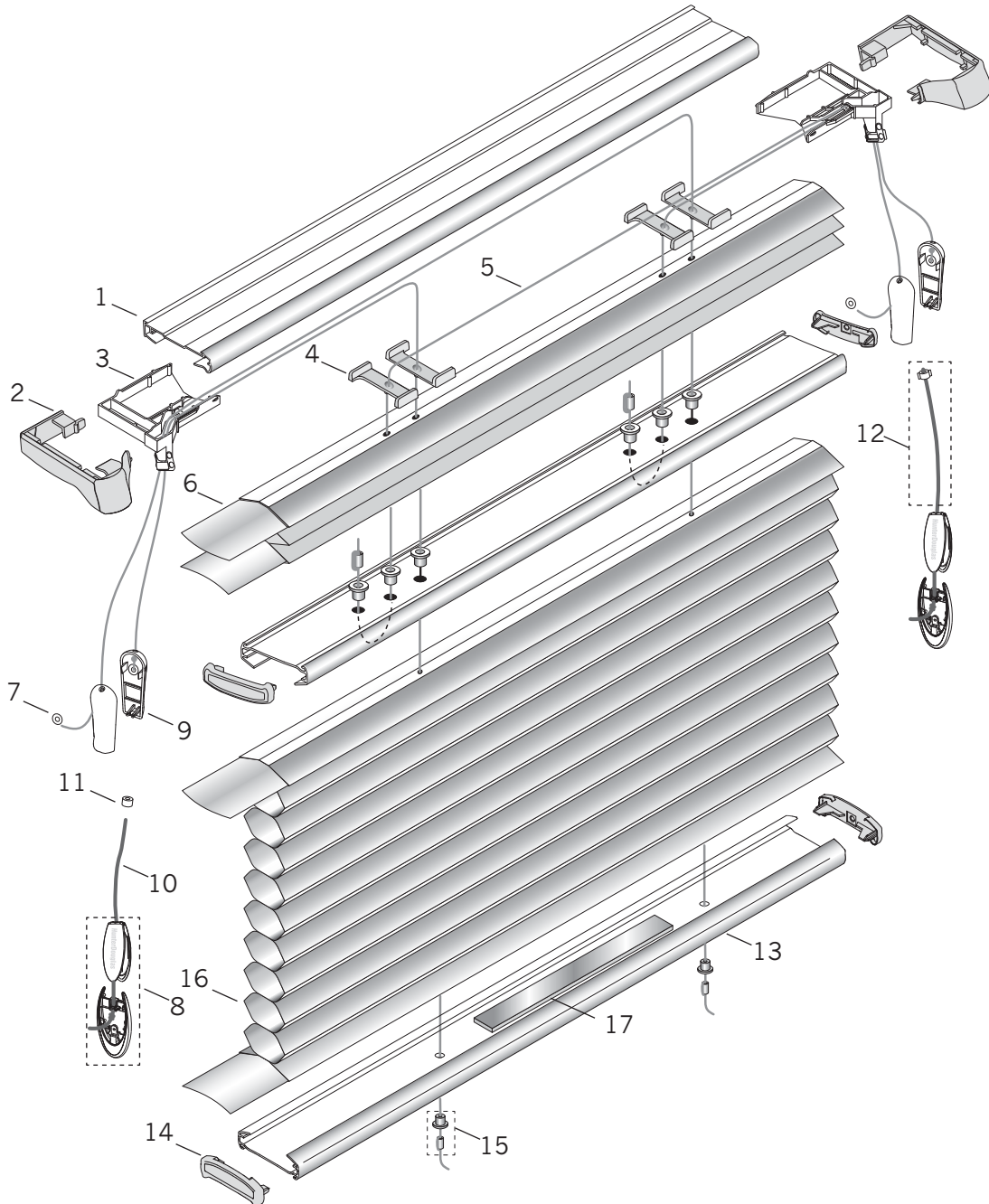


Duette® Cordlock Top-Down/Bottom-Up



Standard Parts

- | | | |
|--------------------|--------------------------------------|-------------------------|
| 1. Headrail | 8. Designer Tassel | 13. Bottom Rail |
| 2. Cordlock Cover | 9. Breakaway Cord Stop Safety Tassel | 14. Bottom Rail End Cap |
| 3. Cordlock Body | 10. Tassel Cord | 15. Pocket & Ferrule |
| 4. Cord Guide | 11. Cord Collar | 16. Rail Weight |
| 5. Ultrawear® Cord | 12. Tassel Cord With Collar Assembly | 17. Plastic Washer |
| 6. Filler Strip | | |
| 7. Fabric | | |

Duette® Cordlock Top-Down/Bottom-Up

No.	PCN	Description
1.	Headrail	
	2250010xxx	3/8"
	2270010xxx	3/4", Double, & Triple Honeycomb
2.	Cordlock Cover	
	2250075xxx	RH (3/8")
	2250085xxx	LH (3/8")
	2270075xxx	RH (3/4", Double, & Triple Honeycomb)
	2270085xxx	LH (3/4", Double, & Triple Honeycomb)
3.	Cordlock Body	
	2950094000	RH (3/8")
	2950095000	LH (3/8")
	2970094000	RH (3/4" & Double Honeycomb)
	2970095000	LH (3/4" & Double Honeycomb)
4.	Cord Guide	
	2950100000	3/8"
	2970300000	3/4", Double, & Triple Honeycomb
5.	2680000000	0.9 mm Ultrawear™ Cord
6.	Filler Strip	
	2954000000	3/8"
	2974000000	3/4", Double, & Triple Honeycomb
7.	2930130000	Plastic Washer (2000 pcs.)
8.	Designer Tassel	
	2931556xxx	Cover
	2931555000	Base
9.	2932623xxx	Breakaway Cord Stop Safety Tassel
10.	2930320xxx	2.2 mm Tassel Cord
11.	Cord Collar	
	2980023000	250 pcs.
	2980023100	5000 pcs.
12.	2.2 mm Tassel Cord With Collar Assembly	
	2931320xxx	100 yds.
	2931360xxx	1000 yds.
13.	Bottom Rail/Center Rail	
	2971632xxx	3/8"
	2971640xxx	3/4", Double, & Triple Honeycomb
14.	Bottom Rail End Cap	
	2982015xxx	3/8"
	2982017xxx	3/4", Double, & Triple Honeycomb
15.	3200155xxx	Pocket & Ferrule
16.	N/A	Fabric (3/8", 3/4", Double, & Triple Honeycomb)
17.	2982028000	Rail Weight (used only if needed)

xxx = 3-digit color code