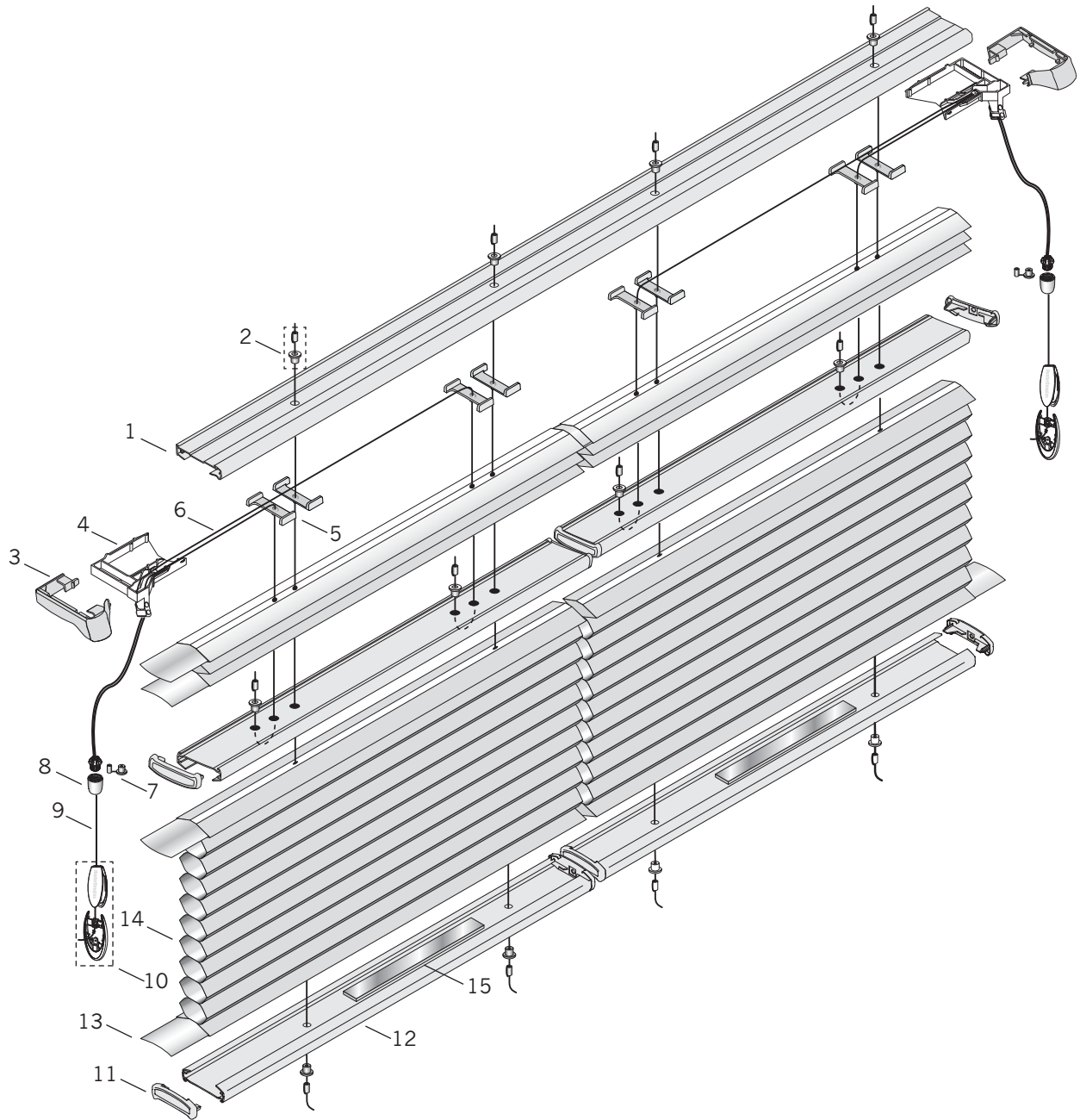


Duette® Cordlock Two-On-One Headrail Top-Down



Standard Parts

- | | | |
|---------------------|-----------------------------|-------------------------|
| 1. Headrail | 6. Ultrawear® Cord | 11. Bottom Rail End Cap |
| 2. Pocket & Ferrule | 7. Clear Pocket and Ferrule | 12. Bottom Rail |
| 3. Cordlock Cover | 8. Clear Stop Ball | 13. Filler Strip |
| 4. Cordlock Body | 9. Tassel Cord | 14. Fabric |
| 5. Cord Guide | 10. Designer Tassel | 15. Rail Weight |

Duette® Cordlock Two-On-One Headrail Top-Down

No.	PCN	Description
1.	Headrail	
	2250010xxx	3/8"
	2270010xxx	3/4", Double, & Triple Honeycomb
2.	3200155xxx	Pocket & Ferrule
3.	Cordlock Cover	
	2250075xxx	RH (3/8")
	2250085xxx	LH (3/8")
	2270075xxx	RH (3/4", Double, & Triple Honeycomb)
	2270085xxx	LH (3/4", Double, & Triple Honeycomb)
4.	Cordlock Body	
	2950094000	RH (3/8")
	2950095000	LH (3/8")
	2970094000	RH (3/4" & Double Honeycomb)
	2970095000	LH (3/4" & Double Honeycomb)
5.	Cord Guide	
	2950100000	3/8"
	2970300000	3/4", Double, & Triple Honeycomb
6.	2680000000	0.9 mm Ultrawear® Cord
7.	3200156000C	Clear Pocket and Ferrule (2-rout Shades Only)
8.	2930562000	Clear Stopball
9.	2930320xxx	2.2 mm Tassel Cord
10.	Designer Tassel	
	2931556xxx	Cover
	2931555000	Base
11.	Bottom Rail End Cap	
	2982015xxx	3/8"
	2982017xxx	3/4", Double, & Triple Honeycomb
12.	Bottom/Center Rail	
	2971632xxx	3/8"
	2971640xxx	3/4", Double, & Triple Honeycomb
13.	Filler Strip	
	2954000000	3/8"
	2974000000	3/4", Double, & Triple Honeycomb
14.	N/A	Fabric (3/8", 3/4", Double, & Triple Honeycomb)
15.	2982028000	Rail Weight (used only if needed)

xxx = 3-digit color code