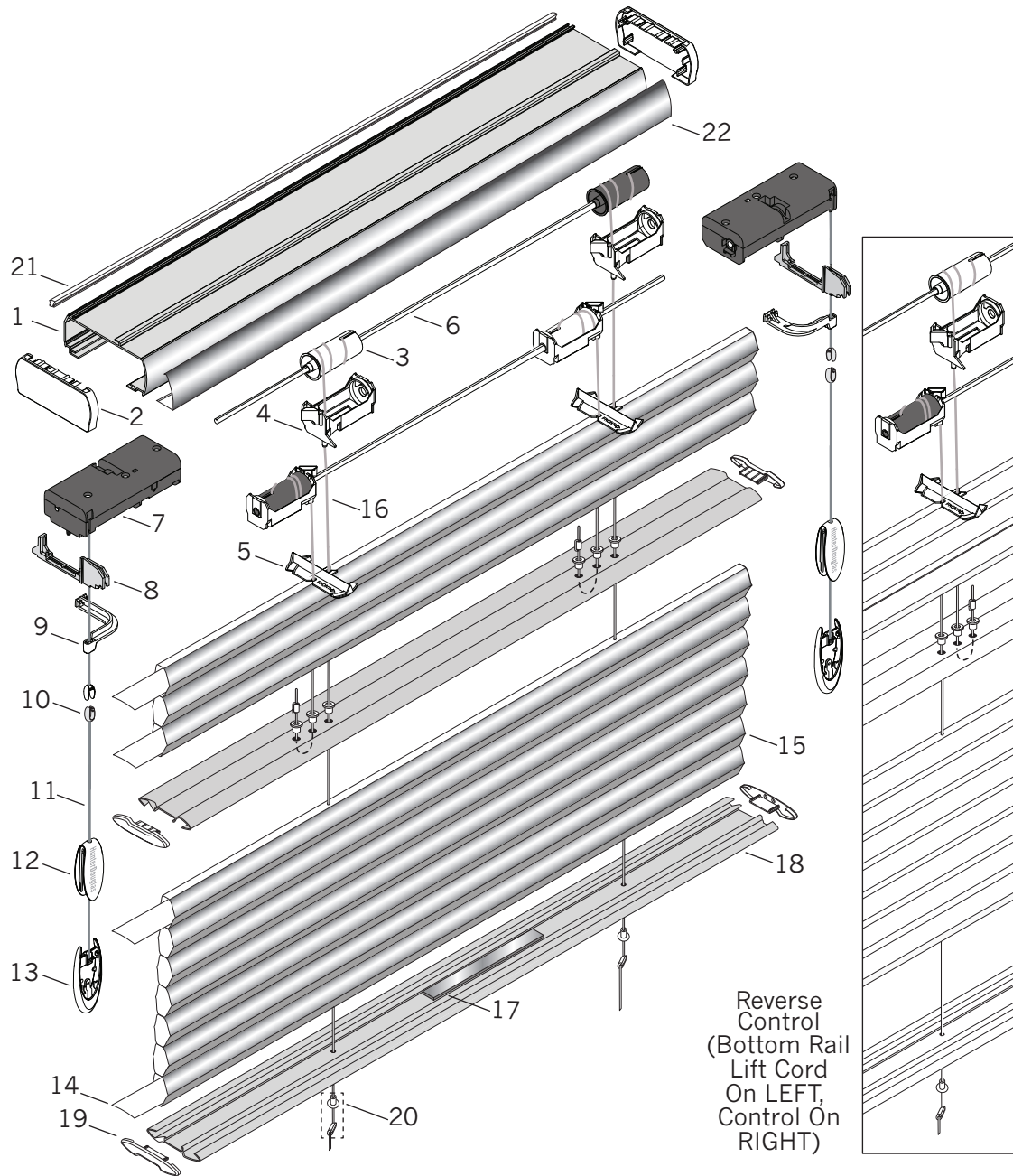


Duette® with UltraGlide® Top-Down/Bottom-Up



Standard Parts

- | | | |
|--------------------------|-------------------------------|-------------------------|
| 1. Headrail | 8. Pull Cord Assembly Adaptor | 15. Fabric |
| 2. Headrail End Cap | 9. Brake Activator | 16. 0.9 mm Cord |
| 3. Lift Spool | 10. Lower Cord Connector | 17. Bottom Rail Weight |
| 4. Spool Support | 11. Tassel Cord | 18. Bottom Rail |
| 5. Spool Support Adaptor | 12. Tassel Cover | 19. Bottom Rail End Cap |
| 6. V-Shaft | 13. Tassel Base | 20. Pocket and Ferrule |
| 7. Pull Cord Assembly | 14. Filler Strip | 21. Light Block Strip |
| | | 22. Valance |

Duette® with UltraGlide® Top-Down/Bottom-Up

No.	PCN	Description
1.	2770003785	1¼" Common Headrail
2.	2780050XXX	1¼" Common Headrail End Cap
3.	Common Lift Spool	
	2780034000	Through Hole (white)
	2780103000	Through Hole, Long Drop (white)
	2780072000	Rod Stop (black)
	2780104000	Rod Stop, Long Drop (black)
4.	Spool Support	
	2780033000	Standard
	2780105000	Long Drop
5.	2780092000	1¼" Spool Support Adaptor
6.	2770004000	V-Shaft (Steel)
7.	Pull Cord Assembly	
	2780064000	RH
	2780065000	LH
	4154738000	Cord Connector, Upper (comes attached to the above two clutch assemblies)
8.	2780084000	1¼" Pull Cord Assembly Adaptor (Standard)
9.	Brake Activator 1¼"	
	2780081000	RH
	2780082000	LH
10.	4154739000	Lower Cord Connector
11.	2930320XXX	Tassel Cord 2.2mm
12.	2931556XXX	Designer Tassel Cover
13.	2931555000	Designer Tassel Base
14.	2971311000	Filler Strip (1¼")
15.	NA	Fabric
16.	2671000000	0.9 mm Cord
17.	2982028000	Duette® Rail Weight
18.	2971340XXX	Bottom Rail (Duette 1¼")
19.	2982343XXX	Bottom Rail End Cap (Duette 1¼")
20.	3200155XXX	Pocket and Ferrule
21.	2780029000	Common Headrail Light Block Strip
22.	278900XXXX	Duette Valance

XXX Or XXXX = Color Code