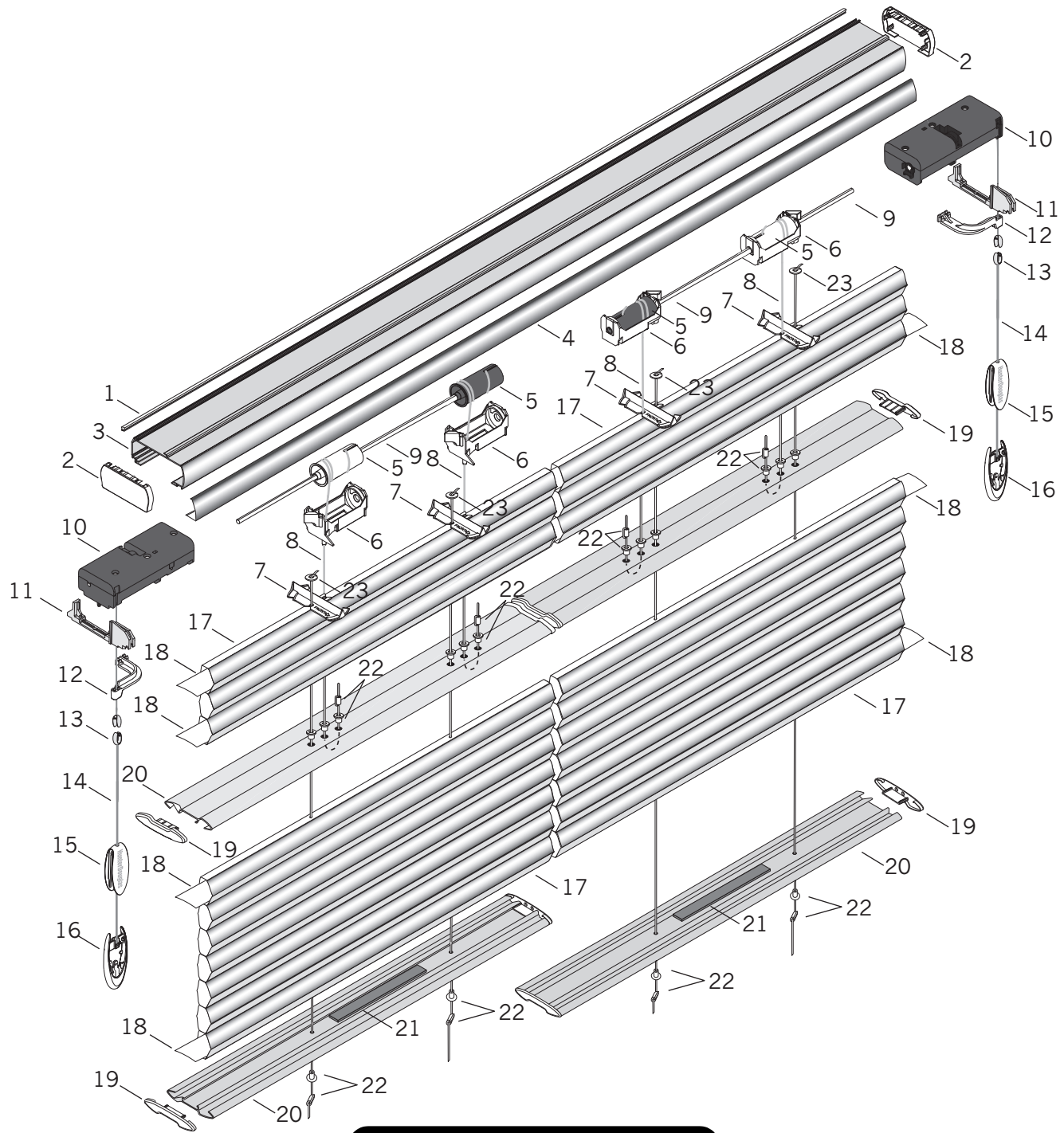


Duette® with UltraGlide® Top-Down Two-On-One



Standard Parts

- | | | |
|--------------------------|--------------------------------|-------------------------|
| 1. Light Block Strip | 9. V-Shaft | 17. Fabric |
| 2. Headrail End Cap | 10. Pull Cord Assembly | 18. Filler Strip |
| 3. Headrail | 11. Pull Cord Assembly Adaptor | 19. Bottom Rail End Cap |
| 4. Valance | 12. Brake Activator | 20. Bottom Rail |
| 5. Lift Spool | 13. Lower Cord Connector | 21. Bottom Rail Weight |
| 6. Spool Support | 14. Tassel Cord | 22. Pocket and Ferrule |
| 7. Spool Support Adaptor | 15. Tassel Cover | 23. Washer |
| 8. 0.9 mm Cord | 16. Tassel Base | |

Duette® with UltraGlide® Top-Down Two-On-One

No.	PCN	Description
1.	2780029000	Common Headrail Light Block Strip
2.	2780050XXX	1¼" Common Headrail End Cap
3.	2770003785	1¼" Common Headrail
4.	278900XXXX	Duette® Valance
5.	Common Lift Spool	
	2780034000	Through Hole (white)
	2780103000	Through Hole, Long Drop (white)
	2780072000	Rod Stop (black)
	2780104000	Rod Stop, Long Drop (black)
6.	Spool Support	
	2780033000	Standard
	2780105000	Long Drop
7.	2780092000	1¼" Spool Support Adaptor
8.	2671000000	0.9 mm Cord
9.	2770004000	V-Shaft (Steel)
10.	Pull Cord Assembly	
	2780064000	RH
	2780065000	LH
	4154738000	Cord Connector, Upper (comes attached to the above two clutch assemblies)
11.	2780084000	1¼" Pull Cord Assembly Adaptor (Standard)
12.	Brake Activator 1¼"	
	2780081000	RH
	2780082000	LH
13.	4154739000	Lower Cord Connector
14.	2930320XXX	Tassel Cord 2.2mm
15.	2931556XXX	Designer Tassel Cover
16.	2931555000	Designer Tassel Base
17.	NA	Fabric
18.	2971311000	Filler Strip (1¼")
19.	2982343XXX	Bottom Rail End Cap (Duette 1¼")
20.	2971340XXX	Bottom Rail (Duette 1¼")
21.	2982028000	Duette Rail Weight
22.	3200155XXX	Pocket and Ferrule
23.	2930130000	Washer
	2970035000	¾" Magnet Strip with Foam (For Palladian Arch Over Shade - Not Shown)

XXX Or XXXX = Color Code