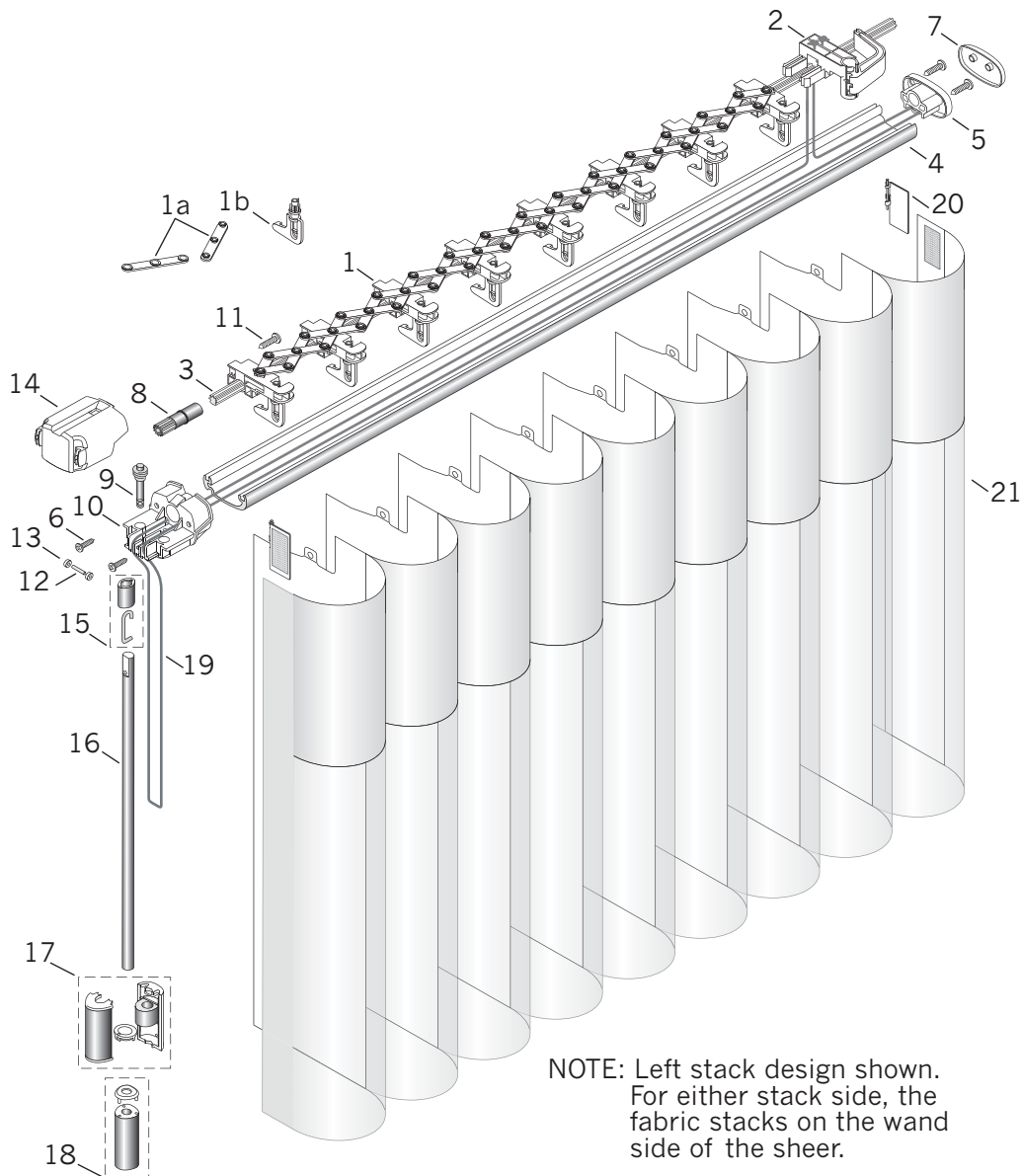


Luminette® Side Stack



Standard Parts

- | | | |
|----------------------------------|------------------------------|---|
| 1. Fabric Carrier Group Assembly | 6. Square Pan Head Screw | 15. Wand Hook with Hook Cover |
| 1a. Scissors | 7. Passive End Cap Cover | 16. Wand |
| 1b. Tilt Reduction Pinion Clip | 8. Tilt Drive Gear | 17. Weighted Tether Control |
| 2. Lead Carrier Assembly | 9. Tilt Drive Worm Gear | 18. Wand Handle & Cover |
| 3. Tilt Rod Extrusion | 10. Universal Bulkhead Body | 19. Cord |
| 4. Headrail | 11. Square Head Hi-Lo Screw | 20. End Treatment Swivel Plate Assembly |
| 5. Passive End Cap Assembly | 12. Active SS Dowel Pin | 21. Fabric |
| 5a. SS Dowel Pin | 13. Cord Pulley | |
| 5b. End Cap Wheel | 14. Universal Bulkhead Cover | |